

LAN Blind Control Module ST2134 – Next Generation

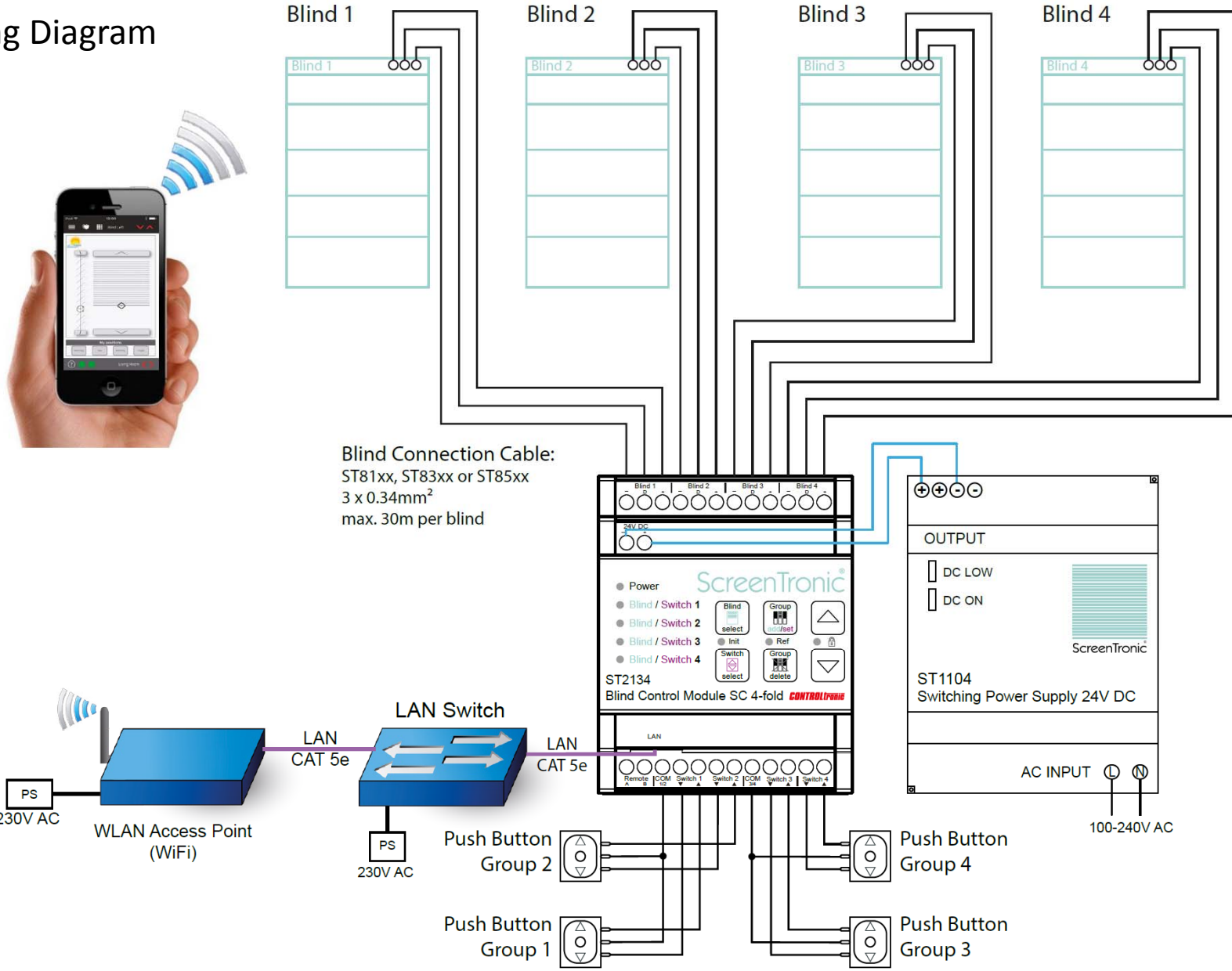


ST2134 Blind Control Module SC 4-fold

- 3-wire blind connection
- Network connection RJ-45 (LAN)
- 4 switch inputs for local or superordinate control groups
- Electronic switching outputs (short-circuit-protected)
- Position control and feedback (for sun tracking)
- New operating concept

LAN Blind Control Module ST2134 – Next Generation

Wiring Diagram



LAN Blind Control Module ST2134 – Next Generation

Connections

Connection No.	Description	Comment		Connection No.	Description	Comment
1.1	Blind 1 - GND	Blind 1	black	3.1	LAN	Network Connection RJ-45
1.2	Blind 1 - Data		white			
1.3	Blind 1 - 24V		red	4.1	Remote A	Central Control Input
1.4	Blind 2 - GND	Blind 2	black	4.2	Remote B	
1.5	Blind 2 - Data		white	4.3	COM 1/2	Group Control Push Button 1 and 2
1.6	Blind 2 - 24V		red	4.4	Switch 1 ▼	
1.7	Blind 3 - GND	Blind 3	black	4.5	Switch 1 ▲	
1.8	Blind 3 - Data		white	4.6	Switch 2 ▼	
1.9	Blind 3 - 24V		red	4.7	Switch 2 ▲	
1.10	Blind 4 - GND	Blind 4	black	4.8	COM 3/4	Group Control Push Button 3 and 4 alternative Enable Input 1-4 (window contact 1-4)
1.11	Blind 4 - Data		white	4.9	Switch 3 ▼	
1.12	Blind 4 - 24V		red	4.10	Switch 3 ▲	
2.1	GND	Power Supply		4.11	Switch 4 ▼	
2.2	+24V DC			4.12	Switch 4 ▲	

LAN Blind Control Module ST2134 – Next Generation

LAN – Network Connection

Standard ETHERNET devices:

- Router
- Switches
- Cables
- ...



Nearly unlimited NETWORKdifferent devices are available for home and commercial use.

LAN Blind Control Module ST2134 – Next Generation

Web Configuration

Modifications only for special application!

Firmware Version : V1.0.2

CONTROLtronic Web Configuration

Status	Status	Help
Local IP Config	Module Name: CT-LAN-01	<ul style="list-style-type: none">• Run Time Run time means the minutes since last reboot• TX/RX Count TX/RX count gives a calculation of the total bytes which the device has received or sent
Setting	Firmware Revision: V1.0.2	
Password	Current IP Address: 192.168.0.156	
Multicast IP	MAC Address: 50-4b-5b-81-01-80	
	Run Time: 0day: 0hour: 4min	
	TX Count(ETH) : 0 bytes	
	RX Count(ETH) : 0 bytes	
	Conn Status(ETH) : CONNECTED	

LAN Blind Control Module ST2134 – Next Generation

IP-Address is automatically assigned (DHCP)

Firmware Version : V1.0.2

CONTROLtronic *Web Configuration*

Status	Parameter	Help
Local IP Config	IP type: <input type="text" value="DHCP/AutoIP"/>	<ul style="list-style-type: none">• IP Type Static IP or DHCP
Setting	Static IP: <input type="text" value="192"/> · <input type="text" value="168"/> · <input type="text" value="0"/> · <input type="text" value="100"/>	<ul style="list-style-type: none">• Static IP Module's static IP
Password	Submask: <input type="text" value="255"/> · <input type="text" value="255"/> · <input type="text" value="255"/> · <input type="text" value="0"/>	<ul style="list-style-type: none">• Submask Usually 255.255.255.0
Multicast IP	Gateway: <input type="text" value="192"/> · <input type="text" value="168"/> · <input type="text" value="0"/> · <input type="text" value="1"/>	<ul style="list-style-type: none">• Gateway Usually router's IP address
	Maintenance: <input type="text"/> (DO NOT CHANGE!)	
	<input type="button" value="Save"/> <input type="button" value="Cancel"/>	

LAN Blind Control Module ST2134 – Next Generation

Password for configuration

Firmware Version : V1.0.2

CONTROLtronic *Web Configuration*

Status	Parameter	Help
Local IP Config	Username: <input type="text" value="admin"/>	<ul style="list-style-type: none">• Username max length is 10 char• Password max length is 10 char
Setting	Password: <input type="text" value="admin"/>	
Password	<input type="button" value="Save"/> <input type="button" value="Cancel"/>	
Multicast IP		

LAN Blind Control Module ST2134 – Next Generation

Multicast communication address (e.g. different projects on same network)

Firmware Version : V1.0.2

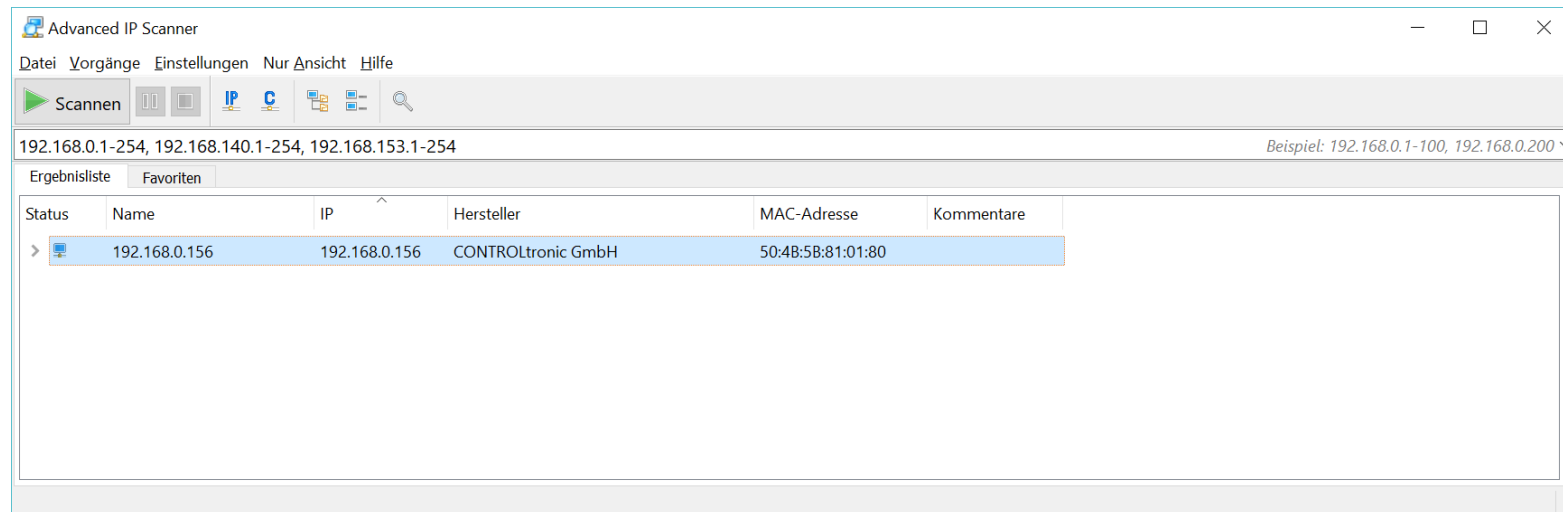
CONTROLtronic Web Configuration

Status	Parameter	Help
Local IP Config	Multicast IP Address: 224 . 0 . 43 . 54	• Multicast IP Address Usually 224.0.43.54
Setting	Multicast IP Receive/Send Port: 43541 (0~65535)	• Multicast IP Port Usually 43541
Password	Save Cancel	
Multicast IP		

Must match the settings in ScreenTronic App!

LAN Blind Control Module ST2134 – Next Generation

Search for IP device in a network



LAN Blind Control Module ST2134 – Next Generation

Totally new operating concept

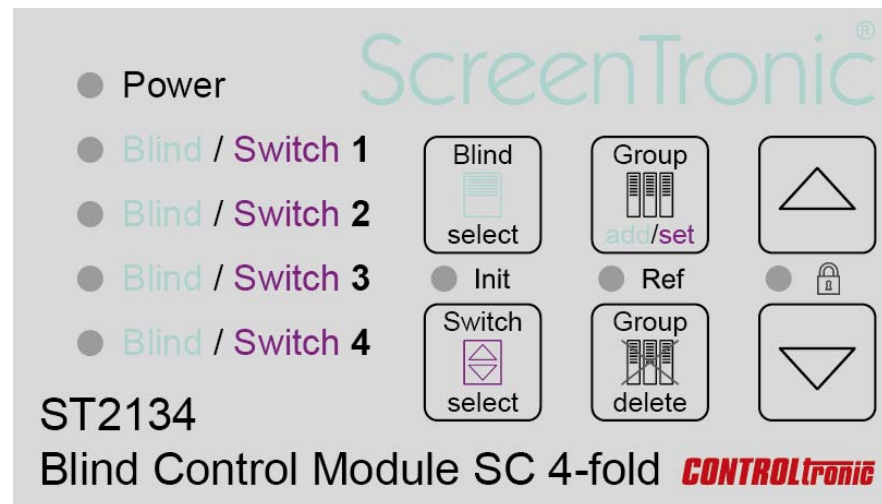
5 x RGB and 3 x red LEDs for user interface and status indication

6 Touch buttons

Acoustic touch confirmation (PIEZO)

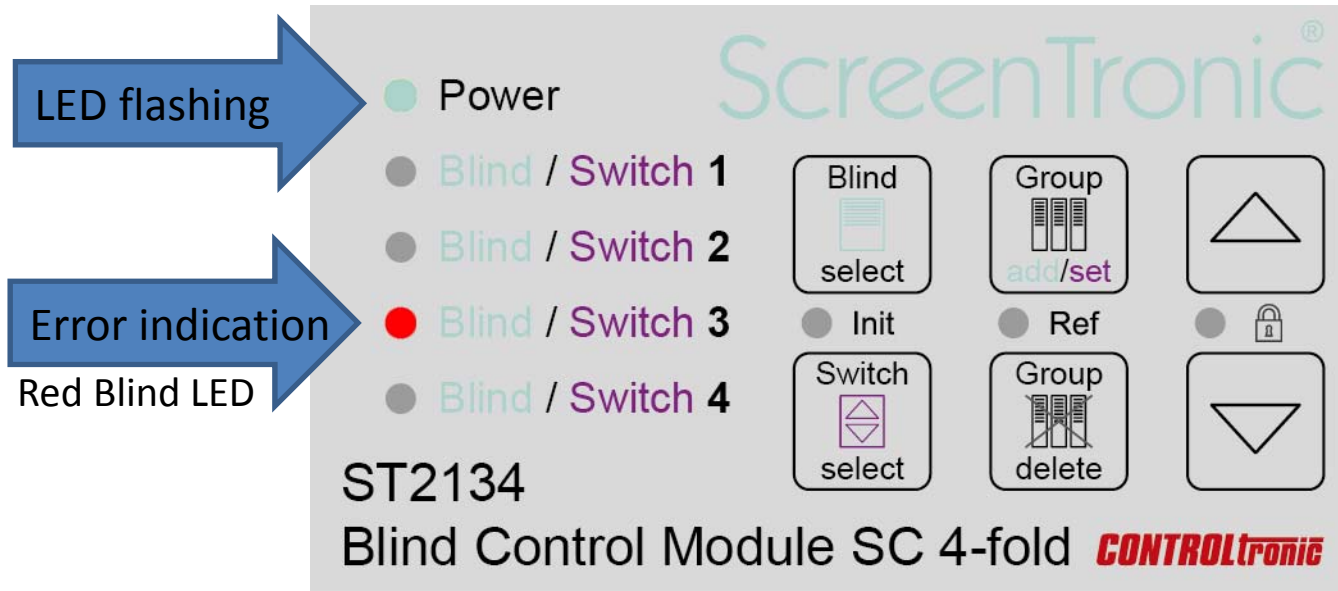
Easy:

- No Network Configuration necessary (DHCP)
- Blind Control Group linking by blind operating



LAN Blind Control Module ST2134 – Next Generation

Blind Initialization

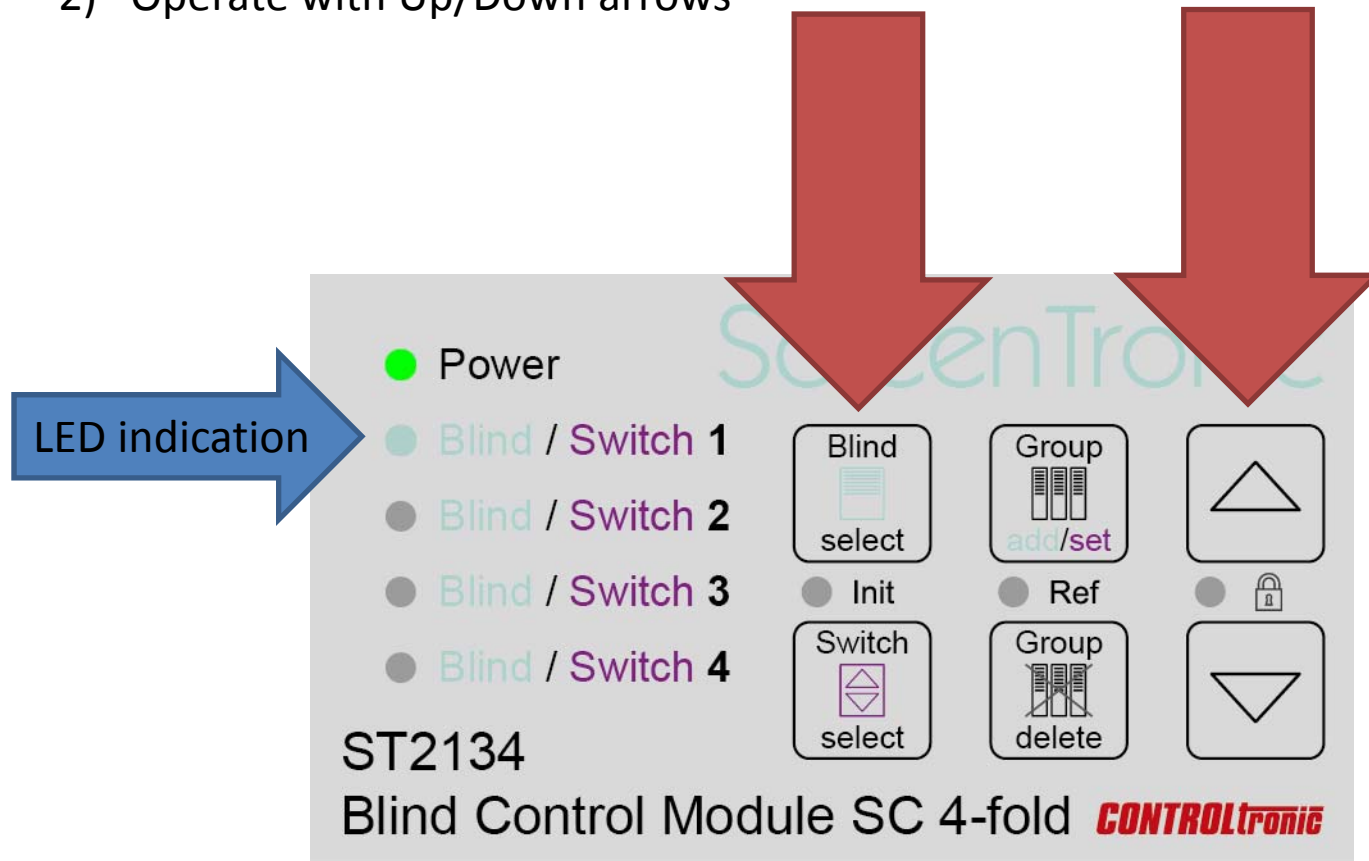


Automatically blind addressing after Power ON

LAN Blind Control Module ST2134 – Next Generation

Blind – Local Operation

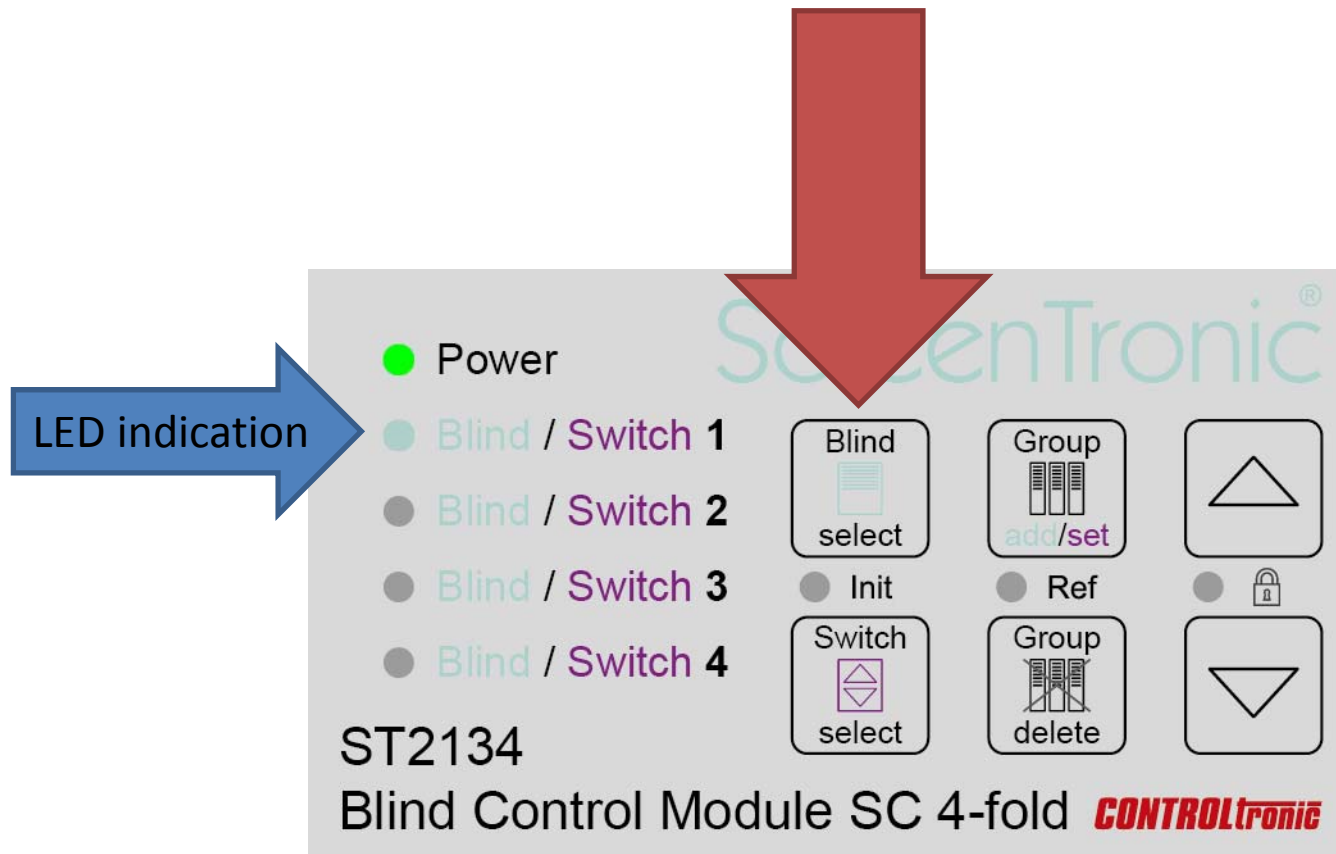
- 1) Select blind (1, 2, 3, 4 or ALL)
- 2) Operate with Up/Down arrows



LAN Blind Control Module ST2134 – Next Generation

Blind – Group assigning

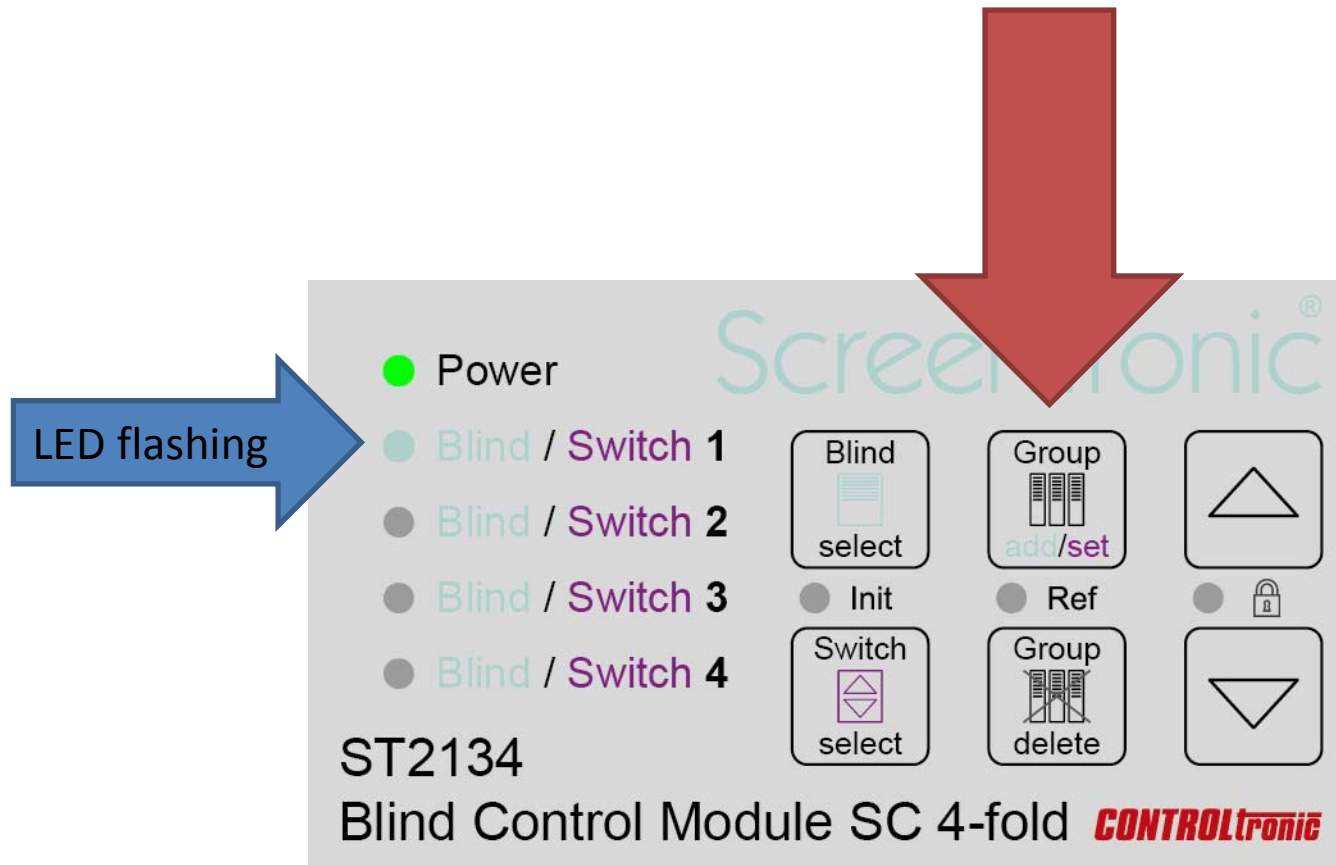
1) Select blind (1, 2, 3, 4 or ALL)



LAN Blind Control Module ST2134 – Next Generation

Blind – Group assigning

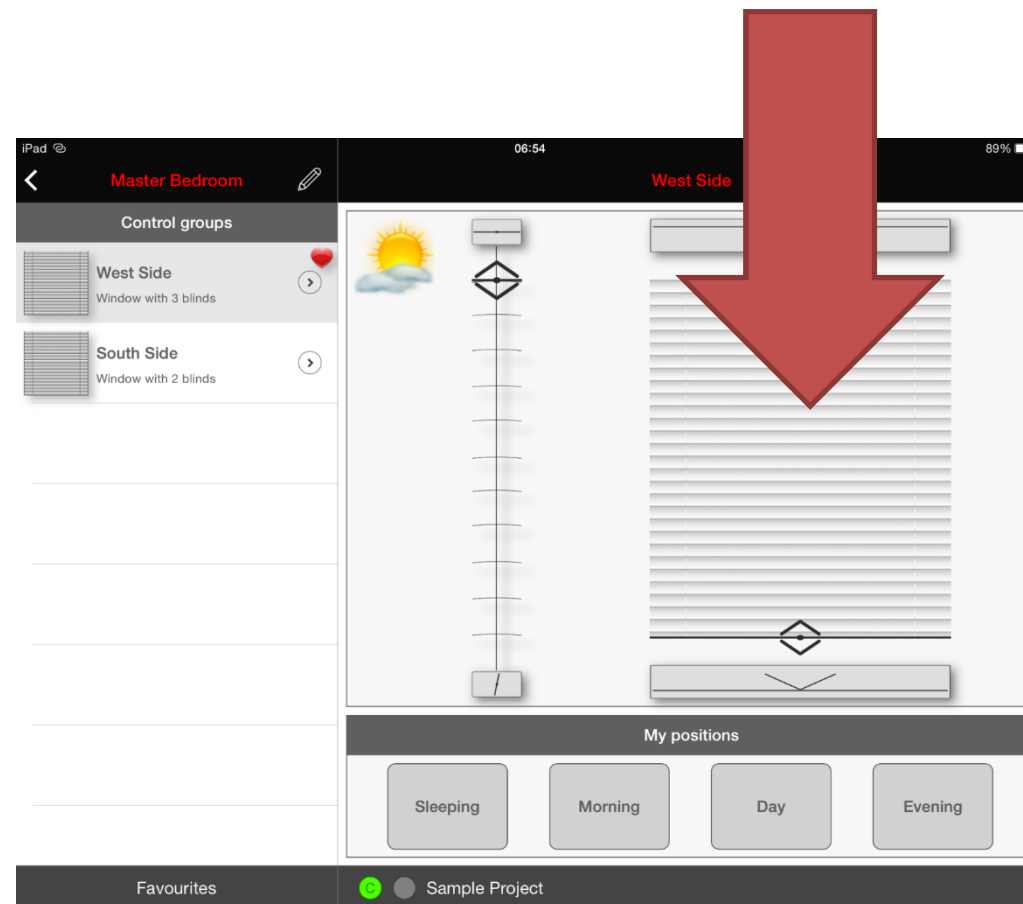
2) Activate group linking mode (blind group add)



LAN Blind Control Module ST2134 – Next Generation

Blind – Group assigning

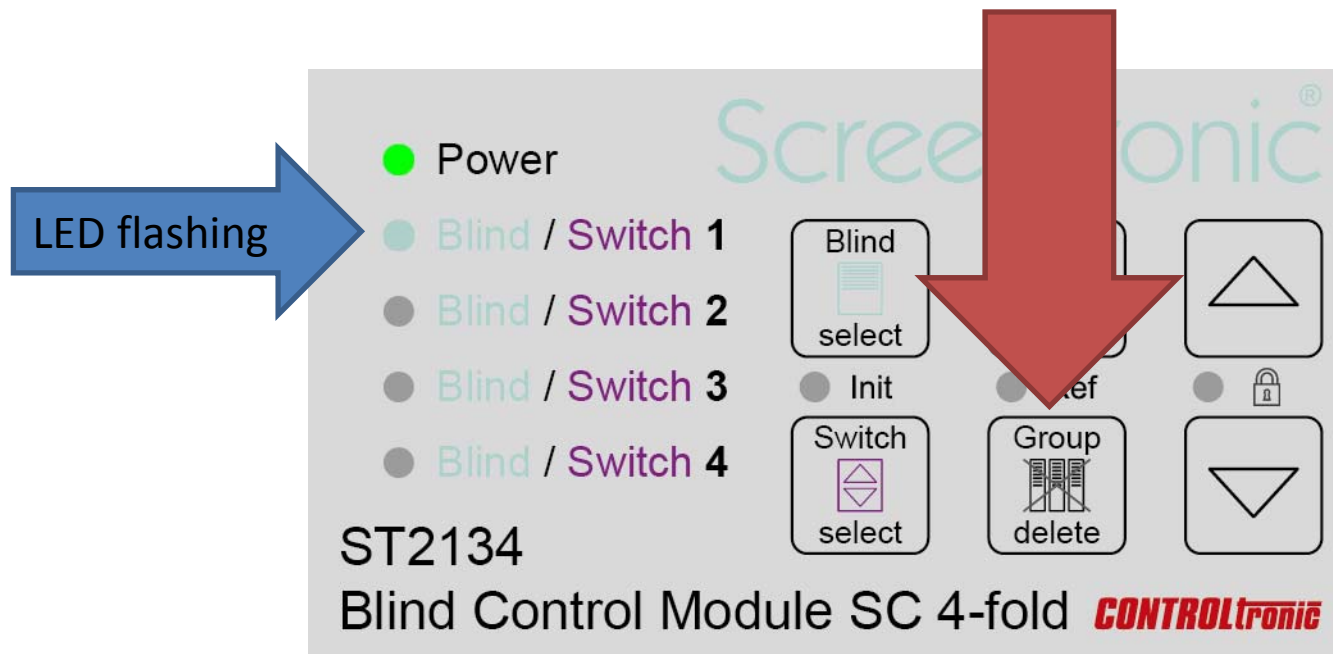
3) Operate blind control group in ScreenTronic® App (or local control switch)



LAN Blind Control Module ST2134 – Next Generation

Blind – Group deleting

- 1) Select blind (1, 2, 3, 4 or ALL)
- 2) Press Group delete button
- 3) Operate blind control group in ScreenTronic® App (or local control switch)

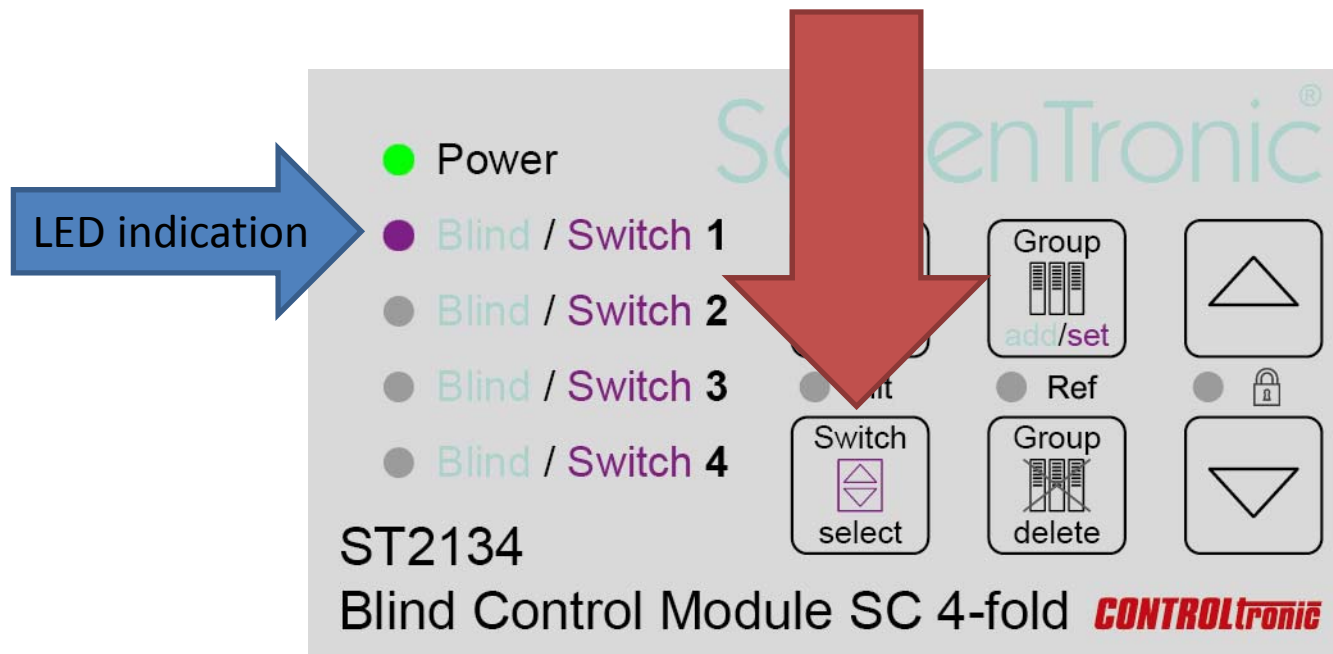


Pressing the Group delete button $\geq 3s$ deletes all assigned control groups

LAN Blind Control Module ST2134 – Next Generation

Switch – Group definition

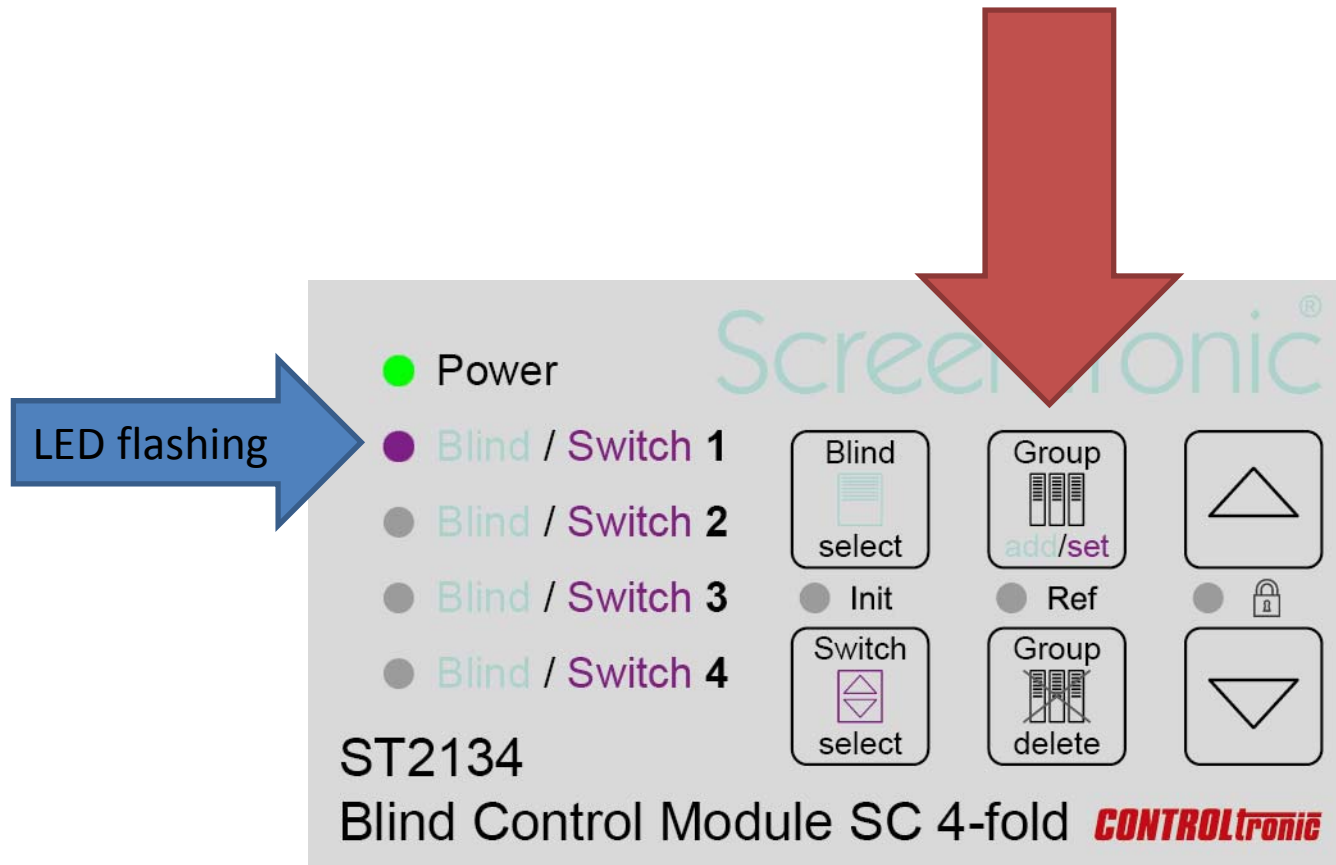
1) Select switch (1, 2, 3, 4)



LAN Blind Control Module ST2134 – Next Generation

Switch – Group definition

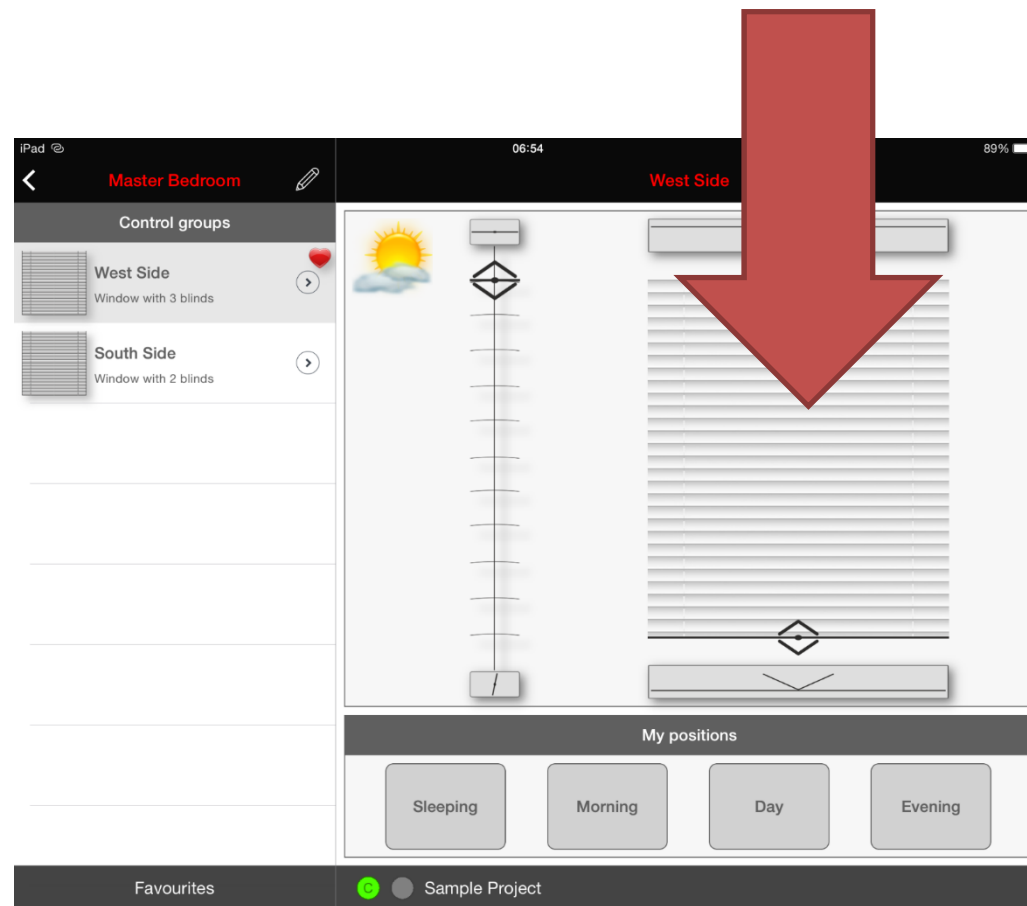
2) Activate switch linking mode (switch group set)



LAN Blind Control Module ST2134 – Next Generation

Switch – Group definition

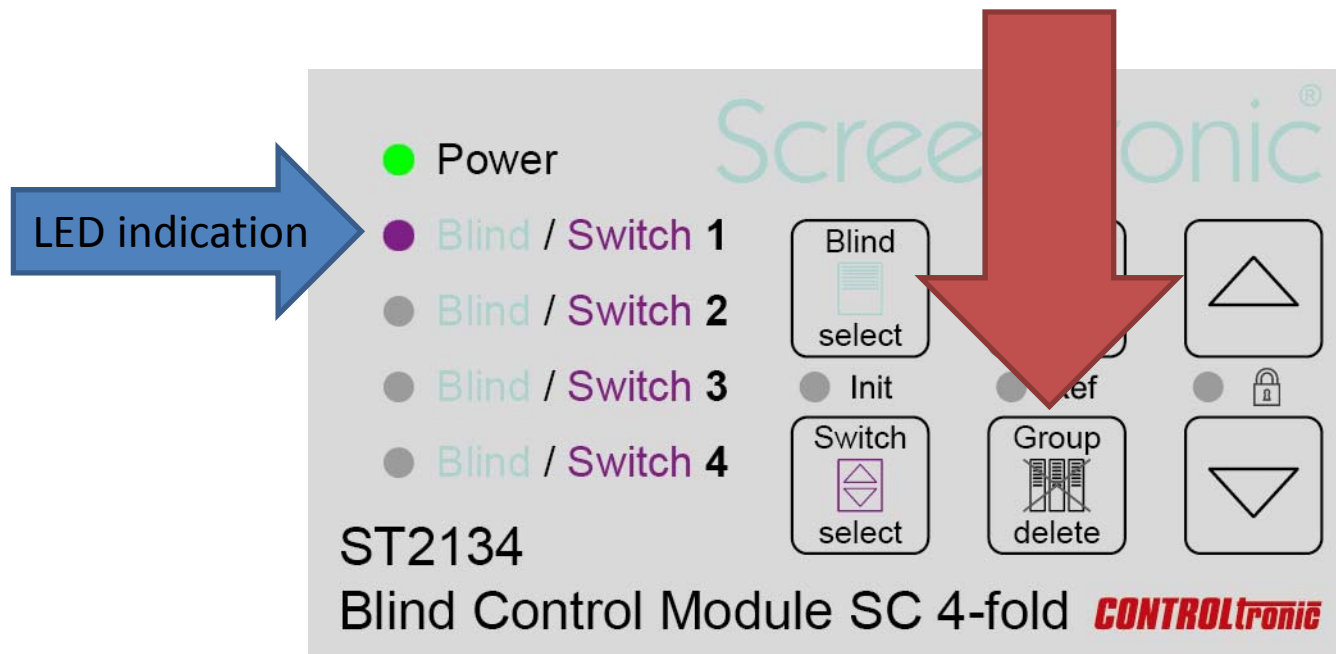
3) Operate blind control group in ScreenTronic® App (or local control switch)



LAN Blind Control Module ST2134 – Next Generation

Switch – Group deleting

- 1) Select switch (1, 2, 3, 4)
- 2) Press Group delete button

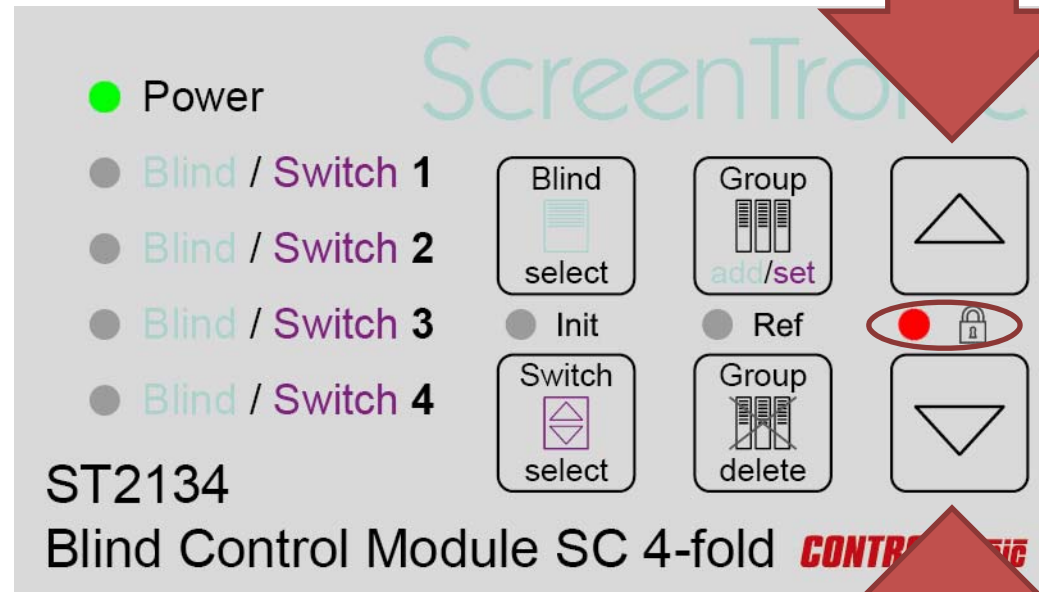


Without switch definition the default switch ID of the device is used.

LAN Blind Control Module ST2134 – Next Generation

Lock – Touch Switch Lock

Press both buttons together!



Lock or unlock of local touch operation